	<b>Product Name</b>	50W Zone LED Flood Light
	<b>Item No.</b>	ZONE-50

**Optical Data**

LED Type	Nichia SMD	CCT	3000K, 4000K, 5000K
System Efficacy	125(±5%) lm/W(5000K Ra70)	CRI	Ra70, Ra80
Luminous Flux	6250(±5%) lm(5000K Ra70)	Beam Angle	

**Electrical Data**

Power Supply	Sosen	Power Frequency	50/60Hz
Input Voltage	AC100-240V / AC100-277V	Power Factor	>0.90
Input Surge Protection	4kV line-line, 6kV line-earth		

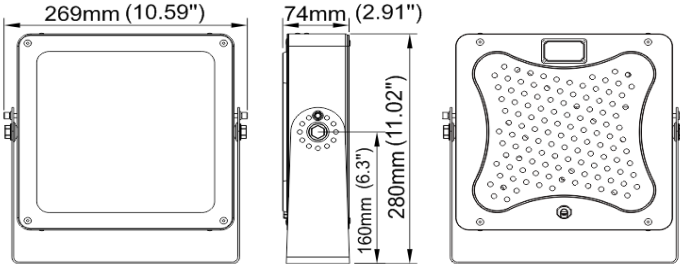
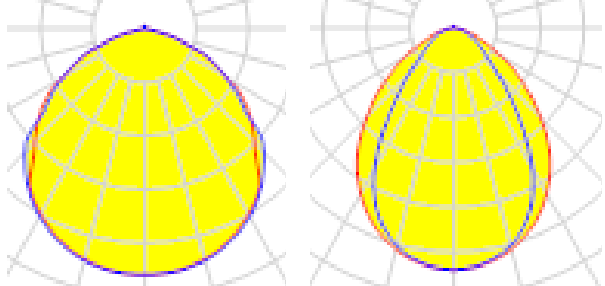
**Others**


System Power Consumption	50±3W	Storage Temperature	-40°C to +70°C(-40°F to +158°F)
Housing	Aluminum Alloy	Operating Temperature	-30°C to +50°C(-22°F to +122°F)
Ingress Protection	IP65	Operating Humidity	15-90%RH
LED Life Span	>50000Hrs(Ta=30°C@L70)	Luminaire Net Weight	3.1±0.3kg (6.83±0.66Lbs)
Outlook Dimensions	280×269×74mm (11.02"×10.59"×2.91")	Export Carton Size	310×130×340mm (13.2"×5.12"×13.19")
Protection Class	Class I		
Certification	CE, RoHS, UL, DLC, SAA, LCP/LM79/TM21		

**Optional Info.**

Installation Method	Bracket Mounting / Hanging pipe Mounting ( Adjustable Angle)
Intelligent Control	DALI Control / Motion Sensor / Daylight Sensor / PIR Sensor

<b>Physical Dimensions</b>	<b>Light Distribution Curve</b>
----------------------------	---------------------------------

	
--	--

	<b>Product Name</b>	70W Zone LED Flood Light
	<b>Item No.</b>	ZONE-70

**Optical Data**

LED Type	Nichia SMD	CCT	3000K, 4000K, 5000K
System Efficacy	125(±5%) lm/W(5000K Ra70)	CRI	Ra70, Ra80
Luminous Flux	8750 (±5%) lm(5000K Ra70)	Beam Angle	

**Electrical Data**

Power Supply	Sosen	Power Frequency	50/60Hz
Input Voltage	AC100-240V / AC100-277V	Power Factor	>0.90
Input Surge Protection	4kV line-line, 6kV line-earth		

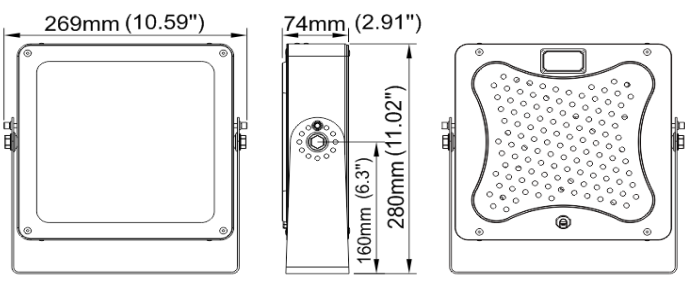
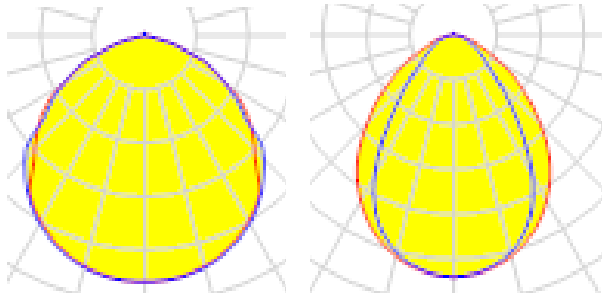
**Others**


System Power Consumption	70±3W	Storage Temperature	-40°C to +70°C(-40°F to +158°F)
Housing	Aluminum Alloy	Operating Temperature	-30°C to +50°C(-22°F to +122°F)
Ingress Protection	IP65	Operating Humidity	15-90%RH
LED Life Span	>50000Hrs(Ta=30°C@L70)	Luminaire Net Weight	3.4±0.3kg (7.49±0.66Lbs)
Outlook Dimensions	280×269×74mm (11.02"×10.59"×2.91")	Export Carton Size	310×130×340mm (13.2"×5.12"×13.19")
Protection Class	Class I		
Certification	CE, RoHS, UL, DLC, SAA, LCP/LM79/TM21		

**Optional Info.**

Installation Method	Bracket Mounting / Hanging pipe Mounting ( Adjustable Angle)
Intelligent Control	DALI Control / Motion Sensor / Daylight Sensor / PIR Sensor

<b>Physical Dimensions</b>	<b>Light Distribution Curve</b>
----------------------------	---------------------------------

	
--	--

	<b>Product Name</b>	90W Zone LED Flood Light	
	<b>Item No.</b>	ZONE-90	
<b>Optical Data</b>			
LED Type	Nichia SMD	CCT	3000K, 4000K, 5000K
System Efficacy	125(±5%) lm/W(5000K Ra70)	CRI	Ra70, Ra80
Luminous Flux	11250 (±5%) lm(5000K Ra70)	Beam Angle	
<b>Electrical Data</b>			
Power Supply	Sosen	Power Frequency	50/60Hz
Input Voltage	AC100-240V / AC100-277V	Power Factor	>0.92
Input Surge Protection	4kV line-line, 6kV line-earth		
<b>Others</b>			
System Power Consumption	90±4W	Storage Temperature	-40°C to +70°C(-40°F to +158°F)
Housing	Aluminum Alloy	Operating Temperature	-30°C to +50°C(-22°F to +122°F)
Ingress Protection	IP65	Operating Humidity	15-90%RH
LED Life Span	>50000Hrs(Ta=30°C@L70)	Luminaire Net Weight	3.4±0.3kg (7.49±0.66Lbs)
Outlook Dimensions	280×269×74mm (11.02"×10.59"×2.91")	Export Carton Size	310×130×340mm (13.2"×5.12"×13.19")
Protection Class	Class I		
Certification	CE, RoHS, UL, DLC, SAA, LCP/LM79/TM21		
<b>Optional Info.</b>			
Installation Method	Bracket Mounting / Hanging pipe Mounting ( Adjustable Angle)		
Intelligent Control	DALI Control / Motion Sensor / Daylight Sensor / PIR Sensor		
<b>Physical Dimensions</b>		<b>Light Distribution Curve</b>	
